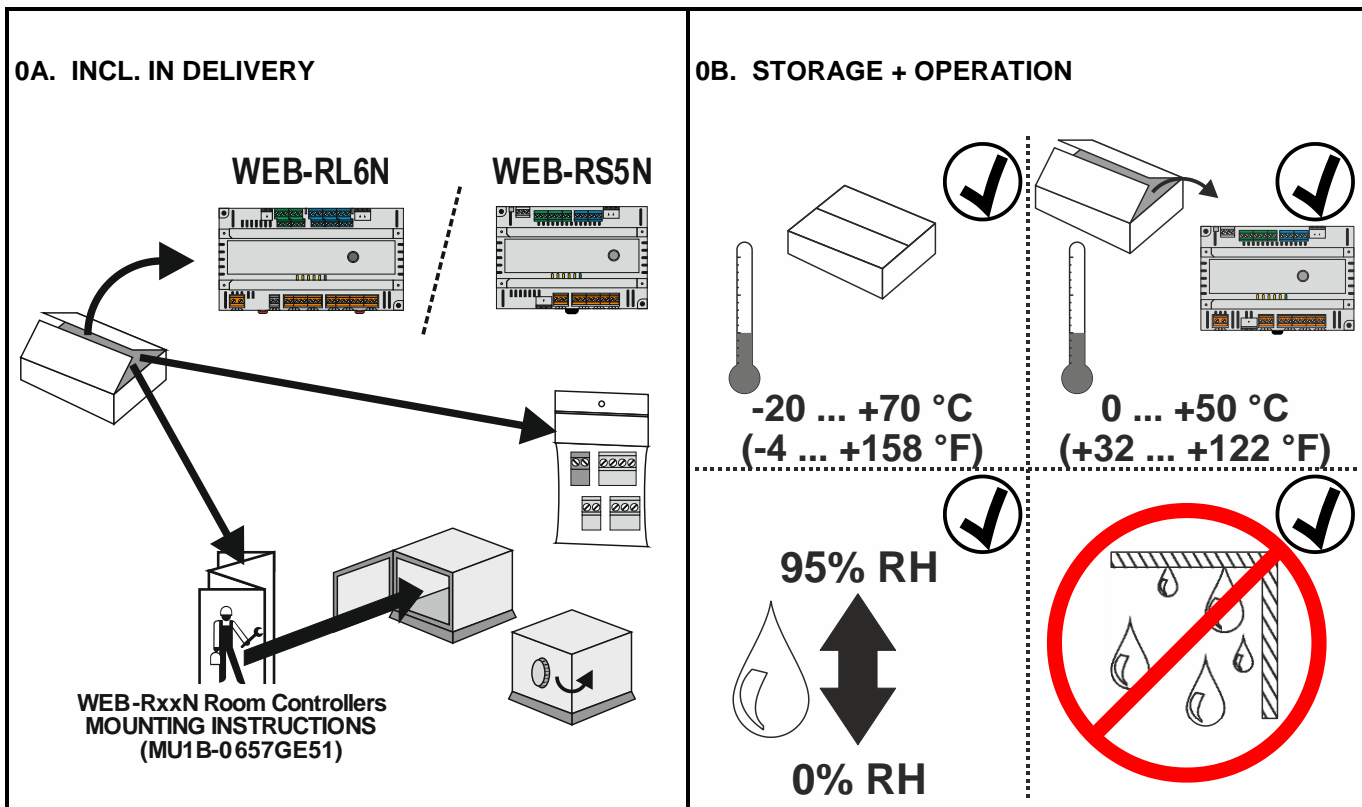
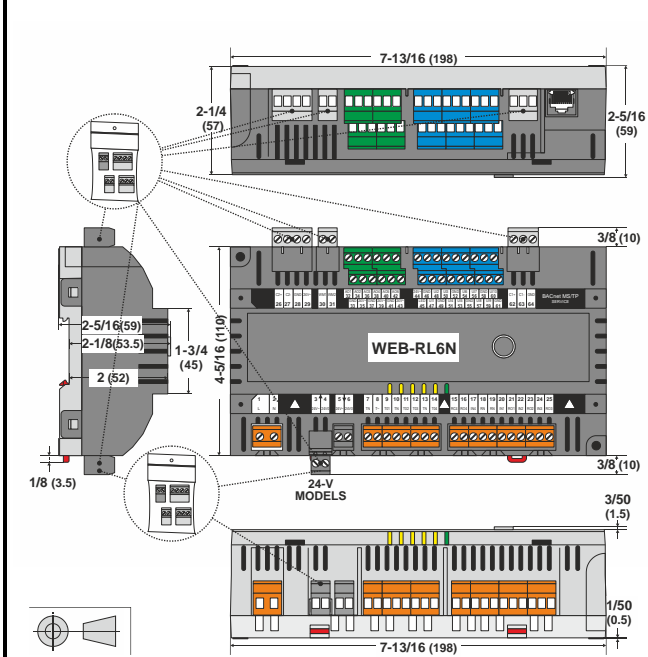


Spyder Model 5 WEB-RxxN ROOM CONTROLLERS

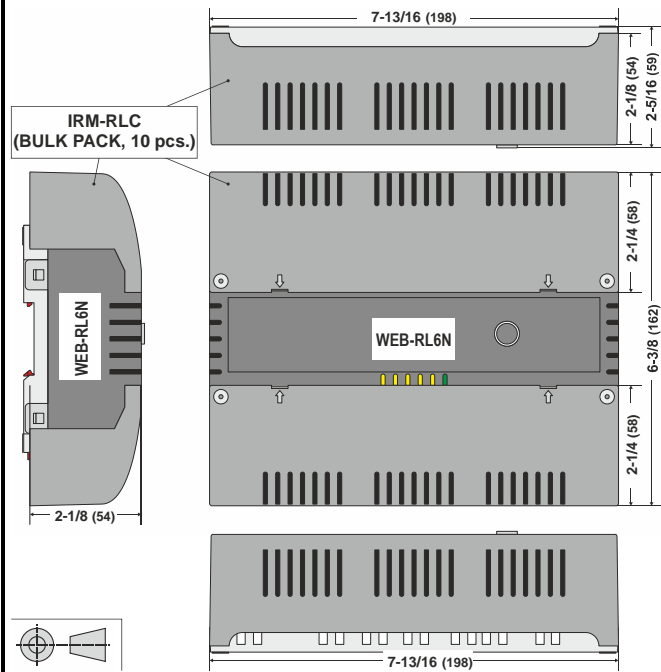
MOUNTING INSTRUCTIONS



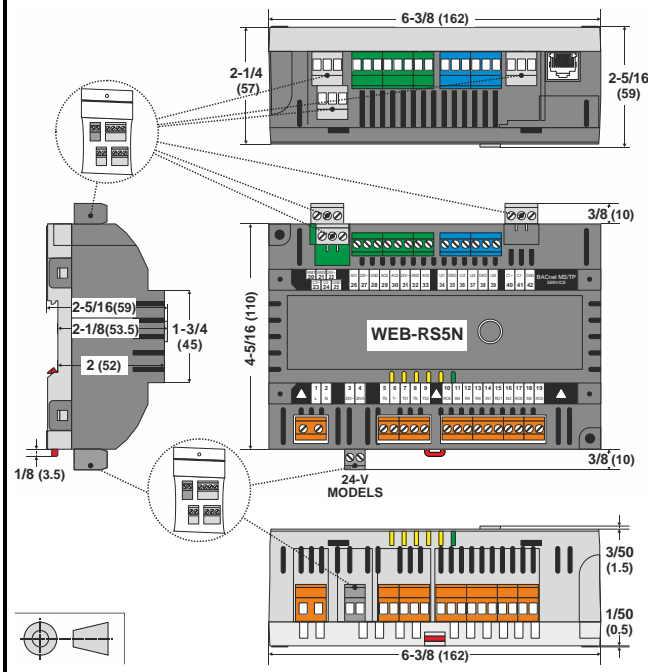
0C. DIMENSIONS



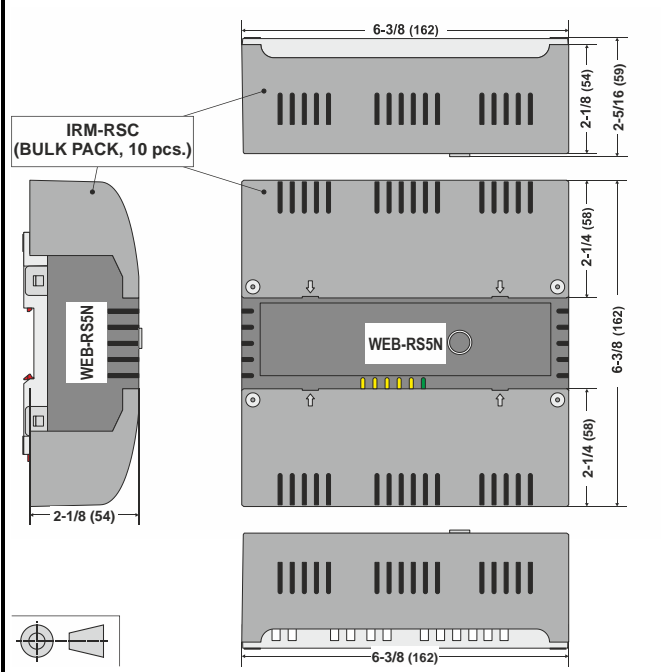
0D. OPTIONAL, FOR IP30



0E. DIMENSIONS

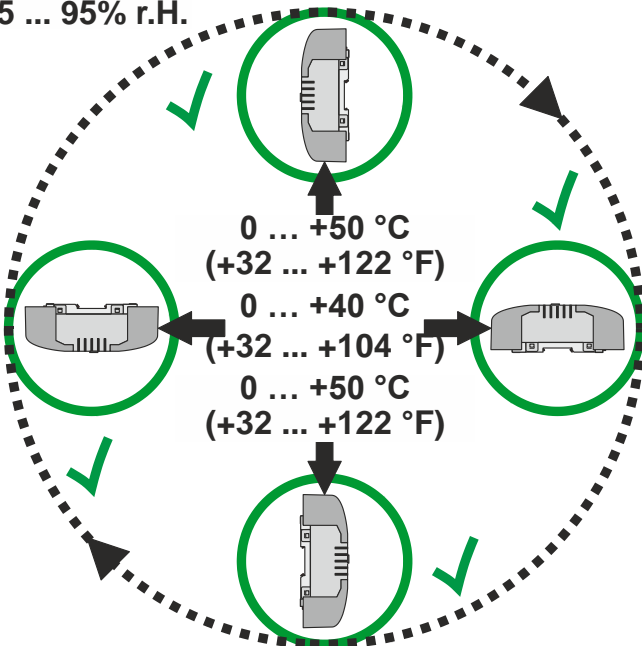


0F. OPTIONAL, FOR IP30

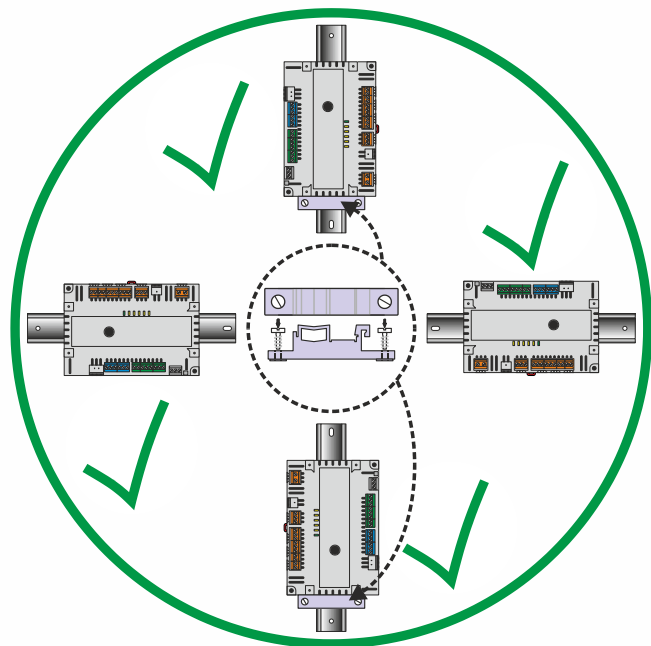


0G. PERMISSIBLE ORIENTATIONS

5 ... 95% r.H.



0H. DIN RAIL END STOP



0I. SEE ALSO



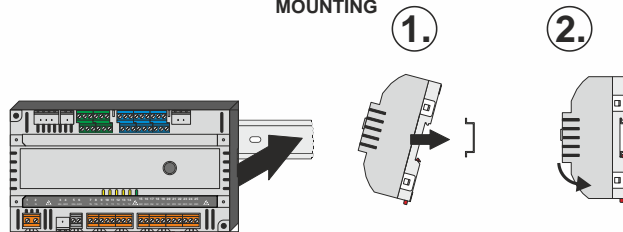
Honeywell WEB-RxxN ROOM CONTROLLERS...
 ● PRODUCT DATA (EN0B-0777GE51)
 ● INSTALLATION INSTRUCTIONS (EN1B-0664GE51)



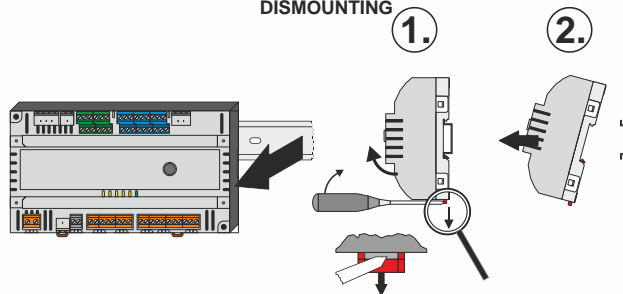
BACnet WiFi Adapter...
 ● PRODUCT DATA (EN0B-0733GE51)
 ● MOUNTING & OPER. INSTRUCTIONS (MU1B-0592GE51)

1. DIN RAIL MOUNTING

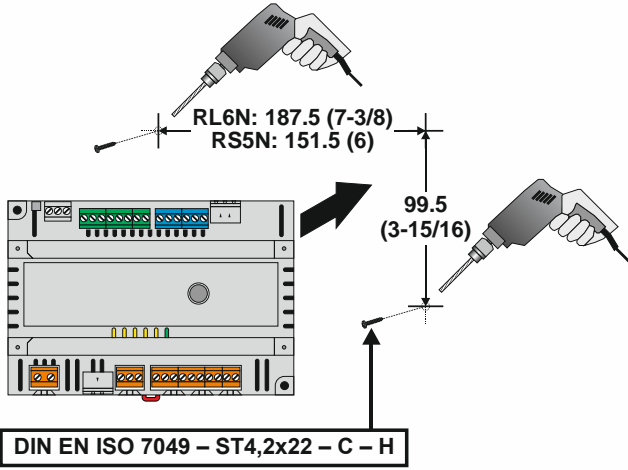
MOUNTING



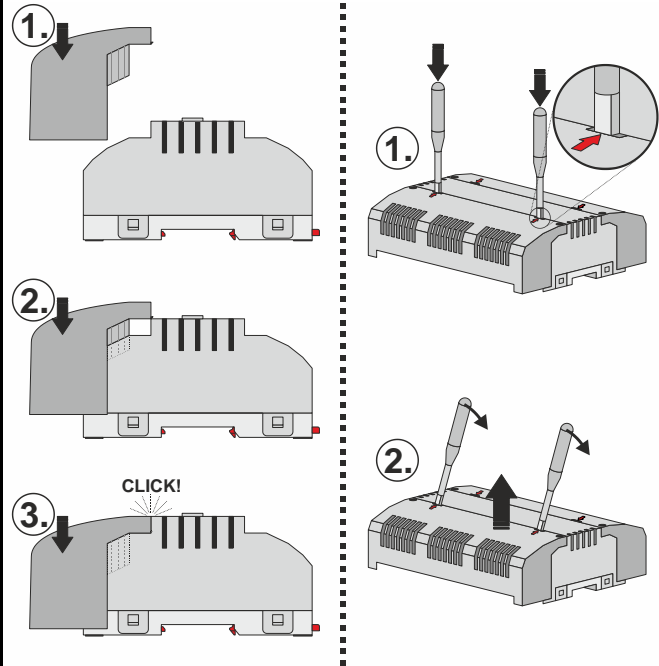
DISMOUNTING



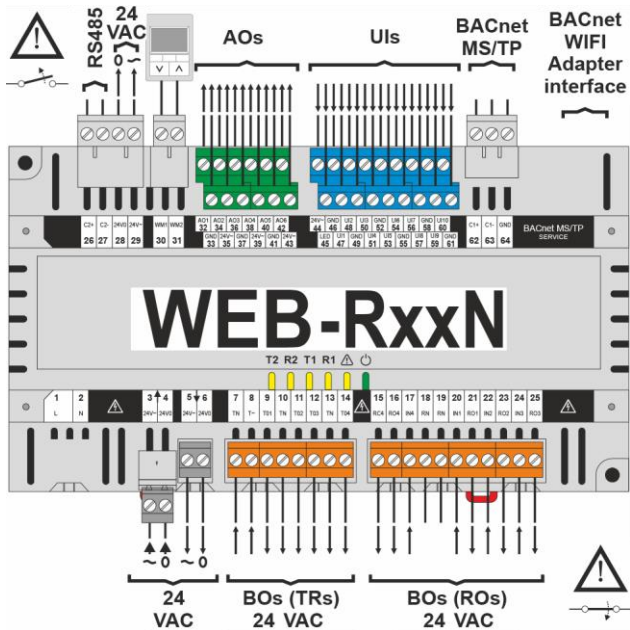
2. WALL MOUNTING



3. MOUNTING + DISMOUNTING IRM-RxC



4A. WIRING (24-V MODELS)



(THIS PAGE LEFT INTENTIONALLY BLANK.)

SPECIFICATIONS OF CONTROLLER

Power supply, power consumption, and current consumption	See WEB-RxxN Room Controller Datasheet (EN0B-0777GE51) and Installation Instructions (EN1B-0664GE51)
Ambient temperature	See picture 0G.
Storage temperature	See picture 0B.
Humidity	5 ... 95% r.h. non-condensing
Dimensions	See pictures 0C, 0E.
Degree of protection	IP20 IP30 (when mounted with accessory IRM-RSC or IRM-RLC)

RECOMMENDATIONS AND RULES

- ▶ Rules regarding electrostatic discharge should be followed.
- ▶ If the device is modified in any way, except by the manufacturer, all warranties concerning operation and safety are invalidated.
- ▶ Make sure that the local standards and regulations are observed at all times. Examples of such regulations are VDE 0800 and VDE 0100 or EN 60204-1 for earth grounding.
- ▶ Use only accessory equipment which comes from or has been approved by Honeywell.
- ▶ It is recommended that the device be kept at room temperature for at least 24 hours before applying power. This is to allow any condensation resulting from low shipping / storage temperatures to evaporate.
- ▶ The device must be installed in a manner (e.g., in a lockable cabinet) ensuring that uncertified persons have no access to the terminals.
- ▶ Do not open the device, as it contains no user-serviceable parts inside!
- ▶ The device is suitable for mounting in fuse boxes conforming to standard DIN 43880, and having a slot height of max. 45 mm.
- ▶ The device is suitable for panel rail mounting on 35 mm standard panel rail (both horizontal and vertical rail mounting possible) – see pictures 0G and 0H.

RELAY SPECIFICATIONS



CAUTION

RISK OF ELECTRICAL SHOCK OR EQUIPMENT DAMAGES! It is not permitted to combine low voltage and line voltage in the relay block.

STANDARDS, APPROVALS, ETC.

PURPOSE OF CONTROL: OPERATING CONTROL and multifunctional non-safety control intended for HVAC in home (residential, commercial, and light-industrial) environments

- UL 60730-1, Standard for Automatic Electric Controls for Household and Similar Use, Part 1: General Requirements;
- CAN/CSA-E60730-1:02, Standard for Automatic Electrical Controls for Household and Similar Use, Part 1: General Requirements;
- Complementary listing for UL916, CSA C22.2 No. 205;
- BTL-listed, BACnet B-ASC profile;
- SASO-approved;
- CE-approved;
- FCC part 15B-compliant;
- RoHS Conformity.

CONSTRUCTION OF CONTROL: Independently mounted electronic control unit with fixed wiring. Panel-mounted on a DIN rail.

SHOCK PROTECTION: Class II.

POLLUTION DEGREE: 2.

RATED IMPULSE VOLTAGE:

- 24 V circuits: 500 V

TYPE OF ACTION: Type 1.C.

SOFTWARE CLASS: A.

NOTE: Keep AC mains supply/load cables separate from signal wiring!

Manufactured for and on behalf of the BMS Division of Honeywell Products and Solutions SARL, Z.A. La Pièce, 16, 1180 Rolle, Switzerland by its Authorized Representative:

Honeywell Building Technologies

Honeywell International Inc.
1985 Douglas Drive North
Golden Valley, MN 55422
customer.honeywell.com

© 2019 Honeywell International Inc.
31-00276ES (MU1B-0657GE51 R0519A) | M.I | Rev. 01-19

Honeywell
THE POWER OF CONNECTED